



PARVIS COMPACT METAL DETECTOR

Designed to Deliver Affordable Foreign Body Detection

The Parvis (Compact) Metal Detector has been developed to deliver state of the art metal detection capability at an affordable purchase price and to continue delivering low cost of ownership throughout its working life.

The Parvis can be supplied in Alarm and Stop or Fully Retail Compliant configurations and has, we believe, eliminated the persistent problems encountered during normal operation, cleaning and maintenance.



Features include:

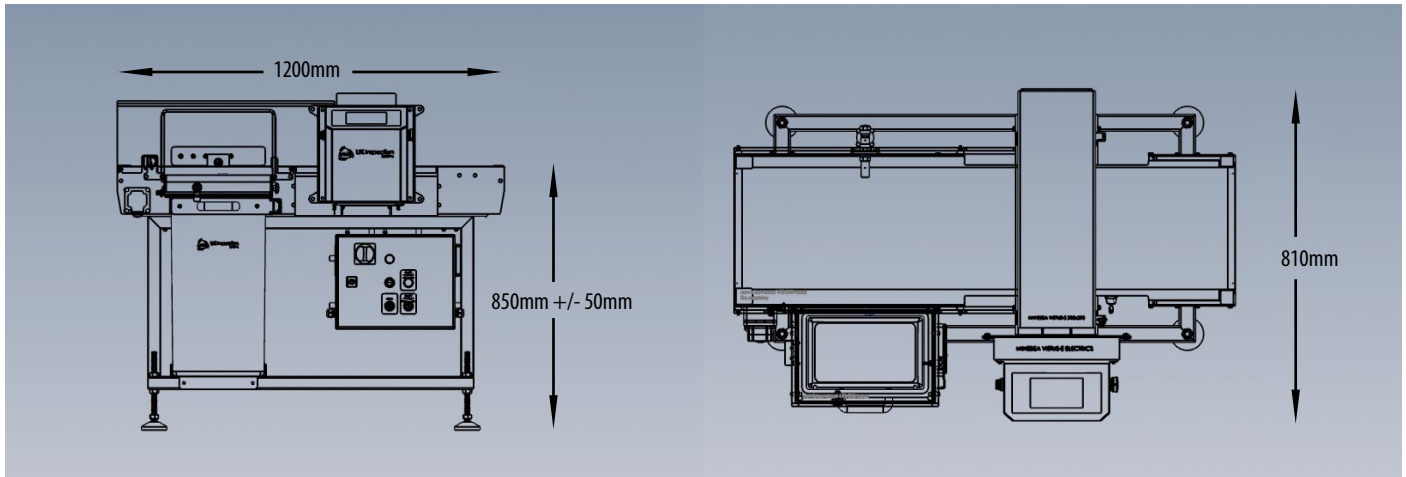
- Designed and built in the UK
- Low cost of purchase and ownership
- Delivers high performance detection meeting retail compliance requirements
- Washdown IP65 Rated
- Constructed to minimise bug traps but facilitate easy and effective washdown

The Parvis system combines a high performing and reliable search head with a lightweight but robust conveyor system. The search head is available in two sizes that will suit products up to approximately 170mm in height.

Using powerful digital signal processing technology and high sensitivity levels the machine is capable of detecting ferrous, non-ferrous and stainless steel contaminants to meet all retail code of practice requirements.



PARVIS COMPACT METAL DETECTOR



Specification

Finish:	Polished 304 stainless steel
Height:	850mm +/- 50mm
Length:	1200mm
Head sizes:	350mm wide and up to 200mm high
Belt type:	Blue Endless PU Food Safe
Belt width:	300mm
Failsafe:	All supermarket requirements fitted on RC model
Reject:	Air blast or pneumatic pusher
Electrical:	220 - 240 volt AC
Airborne Emissions:	Greater than 95db(A) – hearing protection required
Radiation:	Within public limits
Warranty:	1 year

Applications

- Bakery & Cereal
- Confectionery
- Dairy
- Fish, Meat & Poultry
- Fruit & Vegetables
- Nuts & Grains
- Snack Foods
- Dried Fruits

Options

- USB Data Collection
- Spares Kit
- Product Support Package
- Extended Warranty
- Ethernet

01252 510565

sales@ukinspectionssystems.com

www.ukinspectionssystems.com

Head Office:

Unit 15, Hercules Way
Farnborough Aerospace Centre
Farnborough
Hampshire, GU14 6UU

Manufacturing:

Units 5 & 6, Elan Court
Norris Way
Rushden
Northants, NN10 6BP



Registered in England: Number 06932748

